

**BUSH**

aug 1978

**TELEGRAPH**



# BUSH

vol. 20 no 9

# TELEGRAPH

the magazine of

# R&EL

wood lane



Cover

Photo by  
Stuart Castle

Editorial Board

David Green  
Denis Groombridge  
Mike Hagger  
Richard Hammond  
Geoff Holder  
Ted Morrison  
Peter Revell



## Editorial

It is inevitable when producing a magazine on a regular basis, that although one is normally assured of a regular 'core' of information from the management and various sections of the social club, the supply of additional copy such as competitions, cartoons, features etc, will fluctuate from issue to issue. Since the re-appearance of the Bush Telegraph, the Editorial board has been pleasantly surprised by the volume of these generally 'one-off' contributions and, as a result each issue has been of bumper proportions. To all these contributors we say thank you and please keep up the good work, whilst to any 'would-be' but hesitant contributors, we say, please submit articles regardless; the Editorial Board will help to "polish them up" if that is all that's worrying you.

Having said that, we are becoming more than a little perturbed by the non-arrival of some of the expected regular articles despite advance publicity of the closing date. Worse, promised contributions have failed to appear on time and have missed the issue. Whilst this is regretted we must emphasise that many people are involved in producing the Bush Telegraph on time and all stages of its production have to be fitted into the framework of the priorities of normal laboratory work. So we plead with all those who are becoming lax in this respect. Please cooperate or the purpose of the magazine may well be lost and the consequences will be obvious.

# Presentation

Zbigniew "Tom" Bonikowski - 20 years (Presentation 31st July)

Tom escaped from Poland during the war, coming to rest at Wigan by way of Africa. He completed his education at Wigan and joined Wood Lane as a graduate apprentice and was a founder member of the Control Engineering Dept. He became head of the department in 1968, a position held until his recent promotion. During the formative years of the department he was an outstanding exponent of the art of drum rolling but more recently had confined his not inconsiderable extramural activities to home brewing, badminton, the Film Society, and, last but not least, the procuring of Gabrielle.

Mr Banks, in making the presentation of a cheque, said that this was not a farewell ceremony since Tom was remaining within the Group, but rather one in which the staff showed its appreciation of Tom and to wish him well in his new post.

In reply Tom, with a promise to tell no jokes, thanked his colleagues, especially those on the engineering side, for their help during his time at Wood Lane, and, indicated his intention to buy crystal glasses with the cheque proceeds.

---

## Thank you

Henrietta and I wish to thank all who made time to attend my farewell presentation and contributed so generously to what, we hope, will soon turn into crystal, hardened by the clime of the North East and lent sparkle by its lively people.

Thanks again for many years of stimulating association and friendship at Wood Lane.

All the best.

Tom Bonikowski

# Biccarella



---

## Bush Telegraph Distribution

This article is primarily intended for the people who assist in distribution of the magazine each month.

Some members of staff claim that they do not receive the Bush Telegraph regularly because we are leaving insufficient copies at the distribution points. If you find that the copies left with you are insufficient due either to permanent or temporary additions to the staff please let us know so that we can make the required adjustments.

Alternatively if you have not received this edition and not read this notice we would also like to know!!

# Pensioners Corner

We have mentioned before that we like Wood Lane pensioners to keep in touch through the BT. This year there has been a rush of new members in this category and happily they have all opted to join the distribution list. Ron Tarbox is the newest recruit and, in sending him his first "pensioners" copy, we were moved by the spirits (not Dunville's - see "The Ballad Box") thus:-

## ODE TO A RETIRED CORRESPONDENT

One and forty years have gone,  
Does it really seem that long?  
Patent Acts and factory trips,  
Years of grind and canteen chips,  
Bloggs' invention, will it work?  
Does it matter? Just a quirk?  
Secret process under cover,  
Licence fees the whole world over.  
Grown-up daughter, PhD,  
"Now she can look after me!"  
Time for painting; like Van Gogh?  
No, he chopped his ear off.  
Fine new radio from the staff,  
Parliament! Now there's a laugh,  
Rather have Bush Telegraph.

Here it is, the first of many,  
And it doesn't cost a penny;  
(Cynics say they didn't mention,  
Take the postage off his pension)  
Nasty rumour, have no fears,  
Enjoy yourself for years and years.

Editorial Board

We were delighted and surprised to receive a reply!

Sirs

I'm glad you're doing better  
Than we BRBs of BREL.  
What a jolly rhyming letter  
Sending me my free Bush Tel.  
(Even I can make it scan,  
Though I would not dare, I fear,  
To include with such elan  
Van Gogh's di-syllabic ear).  
I expect a lot of letters  
Criticizing my draft rules;  
Some instruction from my betters  
And the views of other schools.

Sirs I'll be an ideal student,  
Noting all that's said to me,  
Quick to act but not imprudent.

Yours etc.

R.F.T.

P.S. Re the wicked barb  
I can bear it

---

## Site Entrance

The formalities have now been completed with London Transport and work can now commence on the "triangle" and site entrance.

John Littler is negotiating with the contractors to ensure that access to the site will not be impaired during alterations.

---

### Brent Eleigh Hall

On Sunday 23rd July a party of ten from Wood Lane visited Brent Eleigh Hall the home of Sir David Barran.

It was intended to record the event in the August Bush Telegraph, but unfortunately at the time of going to press the film of the day has not been returned from processing.

Watch out for the September issue.

# The Ballad Box

The Editorial Board are a sober lot, at least according to David Margolis who informs us that "Dunville's Compound" in the poem "Ballydoneraile" is a well known brand of Irish Whiskey; obviously the perfect resuscitation compound for any shock from a millivolt upwards.

A reference to Dunville's is to be found in the 1940 edition of "Stay me with Flagons" by Maurice Healy a section from which is reproduced below.

"Now, I do not wish to suggest that in any of the wellknown proprietary brands of Scotch Whiskey there is present any formidable quantity of silent spirit; I only mean to say that in Ireland such a thing is practically impossible, for all Irish Whiskey with the exception of Dunville's is made in a pot still. You can drink your "Paddy Flaherty" (The Cork Distilleries Company), your John Jameson, your Power, your Persse, your Bushmills, or any other Irish Whiskey, with the knowledge that nothing but malted barley has gone to make the mash from which it was distilled".

We're still hoping for some information for Pernax patent bird guards from someone. Any offers?

More from the Electrical Engineer's Ballad Book next month.

## Diary of Events

Date	Event	For Information
August 31st	Last day for Punteons	Editorial Board
September 6th	Last day for contributions to Bush Telegraph	Editorial Board
September 9-16th	National Ballooning Championships	D. Moore
September 20th	Publication Day for Bush Telegraph	Editorial Board
September 29th	Last day for Balloon Photographic Competition	Denis Groombridge
Probably late September	Disco Evening	Yvonne Ferrier
	<u>Regular Events</u>	
Tuesdays	Badminton Tennis	Vic Banks Terry Alleyne
Wednesdays	Tennis	Terry Alleyne
Thursdays	Badminton Air Pistol Shooting Tennis	Vic Banks Denis Groombridge Terry Alleyne

# Technical Report

## FRICTION-ACTUATED, CONTINUOUS

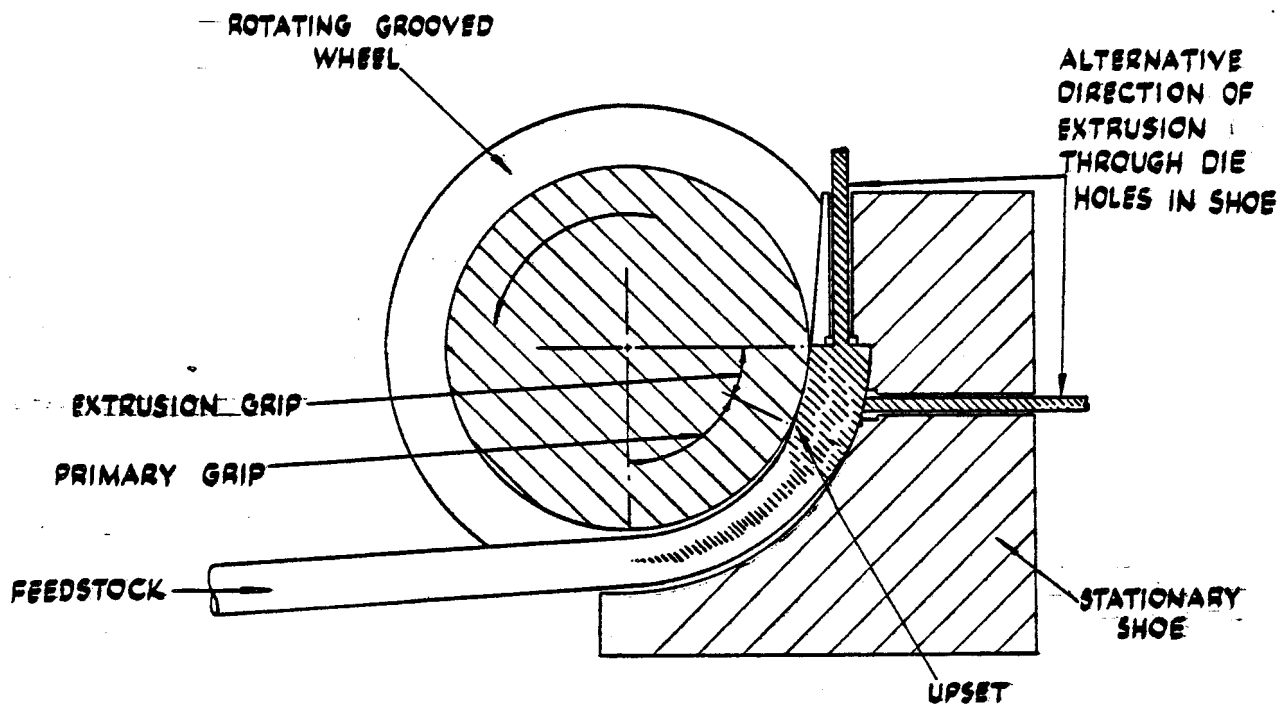
### EXTRUSION OF METALS

Friction-actuated, continuous extrusion of metals was invented by the late Derek Green of the UKAEA Advanced Metal Forming Laboratory, at Springfields, Lancs. The particular technique employed was called Conform and it was first publicly disclosed in 1972. About four years later, William Voorhes of the Wanskuck Company, USA and Betzalel Avitzur of Lehigh University, USA, working independently, developed two variations of the concept known as Linex and Extrolling, respectively. All three techniques feature the advancement of a feedstock and the development of a compressive stress to induce flow through a die, by direct frictional contact with one or more moving parts of the extrusion machine.

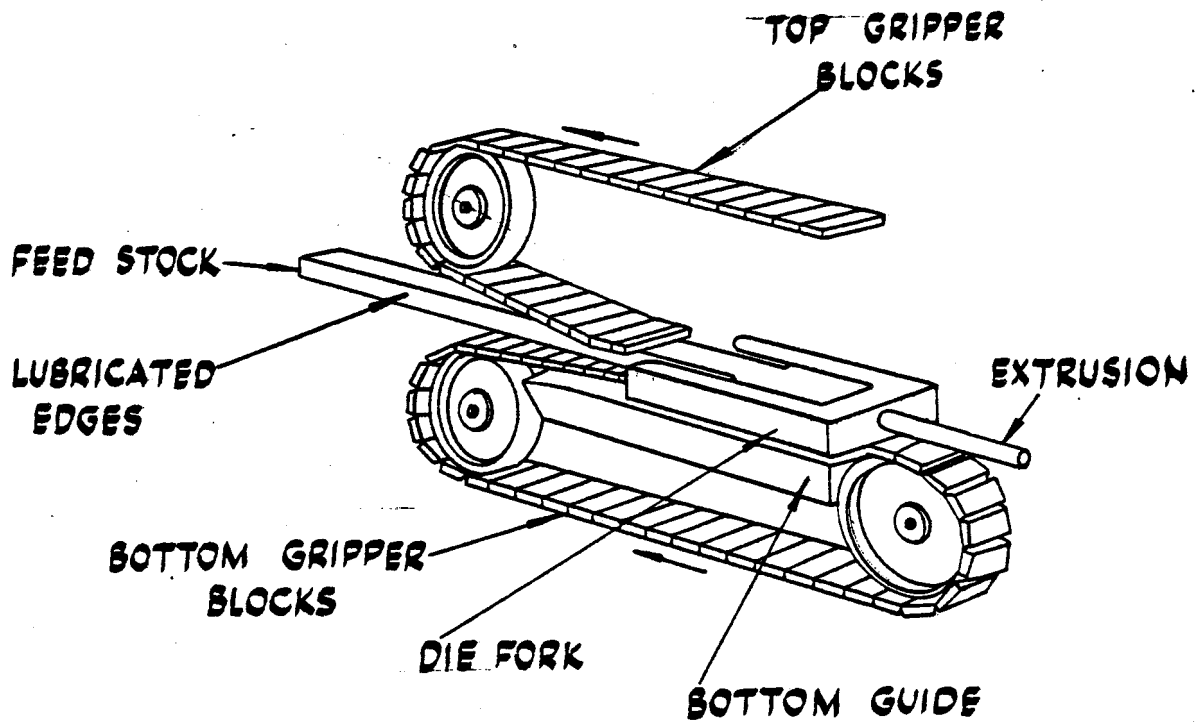
The basic arrangements of the Conform and Linex machines are illustrated in Figs. 1 and 2. In the case of Conform, there is no lubrication between the feedstock and either the rotating grooved wheel or the static shoe. Thus, the feedstock is initially pinched by the wheel groove and moved into contact with the abutment of the shoe, where it is forced to upset until the pressure generated is sufficient to cause extrusion through the die. This situation arises since, in effect, the moving groove constitutes three sides of a square sectioned container and provides enough traction to overcome the friction associated with the stationary fourth side of the container formed by the shoe. For the version of Linex illustrated, the sides of the approximately square feedstock are lubricated to reduce the friction during contact with the legs of the diefork. A later design proposes an increased width of gripper block, with a rectangular section feedstock, to give a ratio of traction and static surfaces approximating to the Conform technique, thereby dispensing with the need for lubrication. Extrolling uses two rotating grooved rolls for gripping the feedstock and a die located in the narrowest part of the roll gap, without any lubrication.

The main interest in friction-actuated extrusion processes is not as an alternative to the conventional extrusion of discrete billets to sections, but to the conversion of rod to smaller hollow and solid sections which are relatively costly to produce and frequently dictate a combination of extrusion and drawing operations. Rod, typically 8 mm diameter, is widely available in continuous, multi-tonnage coils of both aluminium and copper, though its use at present is confined to feedstock for wire drawing. With regard to wire manufacture, the new extrusion processes offer the attraction of a shorter processing route. This arises because the reduction ratio achievable per die in wire drawing is limited to about 1.5 to 1, due to the imposed tensile stress, whereas much higher reduction ratios are possible by any form of extrusion. With Conform, reduction ratios of 360 to 1 for aluminium and 20 to 1 for copper have been demonstrated. Interestingly, both hollow and solid sections larger than the feedstock can also be produced, using specially expansion designed dies. Perhaps more remarkable, however, is that, for





CONFORM



LINEX

the non-lubricated processes, the feedstock for these operations may be either solid or particulate material, as the latter is converted to solid by a pressure welding mechanism during extrusion. As will be appreciated, a significant amount of heat is generated during extrusion by the frictional conditions and the deformation of the material being extruded.

Extrolling has so far failed to progress beyond the laboratory, largely through engineering design difficulties. However, two prototype Linex machines and some twenty, mainly prototype, Conform machines are now available. The term prototype is used in this context to describe machines requiring further development before being acceptable for commercial application. It will be guessed that the short time since inception of these processes has not allowed for a full understanding to be obtained, particularly with respect to long-term operational performance. Major problem areas are the life of the tooling and the metallurgical characteristics of the product, which are very different from the reConventionally processed counterparts. However, there is intense interest and activity concerning these aspects at various establishments throughout the world. At present, it appears that the first commercial application will be with Conform in the USA for the reclamation of aluminium scrap, in particulate or shredded form, derived from existing manufacturing operations and recovered beverage cans.

Towards the end of 1977, BREL Board decided that the Company should be directly involved with the evaluation of friction-actuated extrusion processes. Accordingly, both a Conform and a Linex machine were acquired and three projects were agreed as part of our 1978 long range research programme. Essentially, these dealt with aluminium and copper wire products, extruded from either rod or particulate materials. It was also decided that the work would be undertaken as a group activity. This led to the formation of the Conform project team comprising John Childs as the leader, Stan Pigott, Norman Fairey and, later, Brian Helliwell, for the extrusion experiments. Metallurgy and Chemistry Departments are responsible for major studies on other aspects.

The arrangement of the work programmes within the group has been very successful and a most valuable element has been the considerable personal enthusiasm by all concerned, including those members of BREL performing the vital service functions. Many problems were experienced in the initial stages due to the fact that both extrusion machines proved more prototype than originally foreseen but reasonably good progress has been achieved. Obviously space does not permit a detailed account here and if anyone is interested in more information they are cordially invited to contact John Childs or myself.

P. Gregory

# Executive Council

A meeting of the new Executive Council was held on 24th July 1978, the officers and members attending were,

J. Banks	Chairman
S.M. Castle	Vice-Chairman
P.T. Donovan	Treasurer
P.T.J. Walton	Hon. Gen. Sec.
E.I. Cooke	
Y.M. Ferrier (Miss)	
R.A.G. Fraser	
D.J. Green	
D.R. Groombridge	
R.G. Maidlow	
A. Thornton (Miss)	

Matters arising from the previous meeting included the proposal to sell the club piano to raise capital for some other item of equipment but so far no suggestions had been received from club members either for or against the proposal.

The acquisition of a new badminton floor was also discussed and a quotation from a company specialising in this field was put forward. Although it was agreed that the floor needed replacing the high cost involved, £1500, would necessitate the item being put on the BREL budget for 1979. A question was raised as to whether the court floor should be temporary or semi-permanent as at present; the Badminton Section was to be asked to consider the matter before the next meeting.

Applications for membership from 15 people were tabled and all were welcomed by the Council. With regard to membership a proposal was made for the formation of an Associate Member grade which would be open to people who had left BREL but still wished to remain associated with the Athletic and Social Club. In general it was accepted favourably and the proposal is to be finalised and put on the agenda of a forthcoming E.G.M.

Also discussed was the general financial position of the club and in particular the level of subscription now paid. With the increasing costs and the formation of new sections over the last few years the total running costs of the club have gone up and it is now necessary to raise more money. It was considered that some of the extra money needed could be raised by increasing the membership subscriptions and this proposal is also to be put on the agenda of the E.G.M.

The next meeting of the Council will be held towards the end of October.

# Section Reports

## Bridge Section

The first event of the new season will be the London Business Houses "Swiss" Teams competition. This will be played on Sunday 17th September, and consists of eight, 6 board matches to be played during the afternoon, and evening.

The section have again entered teams in both the Hammersmith District and London Business House leagues, and matches will commence towards the end of September.

New players are always welcome, and anybody interested in playing should contact R. Fraser.

We have just received the Final placing for last season's London Business Houses 2nd Division and they were as follows:-

	P	W	D	L	For	Against	Pts
ICL 'A'	8	4	2	2	572	408	50
Lensbury 'B'	8	5	1	2	504	421	47
Lyons 'B'	8	4	0	4	393	455	39
BICC	8	3	1	4	446	504	35
P.O. HQ 'B'	8	2	0	6	356	483	29

Watson House 'B' withdrew.



## **AIR - PISTOL SHOOTING**

Shooting Averages at 3.8.78



Member of

Pos.		Ave.	Pos.		Ave.
1	Ian Fennemore	44.8	6	Pete Walters	30.3
2	Stefan Verne	42.0	7	Pat Donovan	29.1
3	Bob Maidlow	40.4	8	Roy Fraser	27.2
4	Denis Groombridge	40.3	9	Janet Walters	26.9
5	Joe Lou	40.2	10	Keith Sichel	25.6

## HOT AIR BALLOON SECTION

The successful baptism of G-BREL at Nottingham University was complete when we heard that the interviews given to both local radio stations were in fact used on the air. We do have the transcript from BBC Nottingham to hand. In addition we have the written promise of the Students Union that BICC will get credit titles on the film (remember G-BREL was being used for aerial photography); also they will write a suitable article into their magazine.

Since Nottingham we have completed several more "jobs" but, due to the apparent lack of summer, we have not had much "fun" flying at all. Our pilot training program just has not got off the deck, to coin the phrase. Nevertheless a hard core of enthusiasts is emerging and to them I give my heartfelt thanks for their support. My thanks also for the co-operation of the Heads of Departments from which the crew is drawn for "jobs".

Please excuse me if I talk more about "jobs" - I do so because to me they justify the existence of the balloon. At least the successful ones do such as our appearance at Kings School, Chester, the Wood Lane car park showing and 3 days at St. Helens Show in Lancashire. To date the Wood Lane event has been reported in six journals and there is more to come. The recent St. Helens event was successful if only in a goodwill sense through showing the balloon to a multitude of BICC personnel and giving "captive" joy-rides, but we do expect other spin-offs.

I think I owe the Bush Telegraph an apology because I leaked the news about G-BREL's name to the Link prematurely. However, the committee has chosen the name GABRIELLE as being phonetically close to the balloon registration G-BREL. The winner, therefore, of our competition to choose a name is Alex Taylor and the bottle of wine goes to him. But there was another entry suggested by Geoff Holder, this was Anopterous (without wings) and this has been chosen as the radio call sign for the retrieve vehicle. Another bottle of wine goes to Geoff if he cares to contact our treasurer, Alex Taylor.

To those of you A&SC members who would like to follow the balloon irrespective of whether you are known members of the Hot Air Balloon Section or not may I explain that notice of intention to "fun" fly is always short dependant on the Met. forecast. The system works as follows contact either Denis Groombridge or Roger Millward regarding weekend flying. On Friday they will give you a provisional "go" or "no go". Contact them again 1200 to 1330 hours on the Saturday or Sunday for the pilots final decision. The same system could apply with even shorter warning to possible mid-week evening flights. No other forecast is ever possible.

As regards the provisional diary of "jobs" this has been printed in the BT and is always supplemented by their 'Promptor' system.

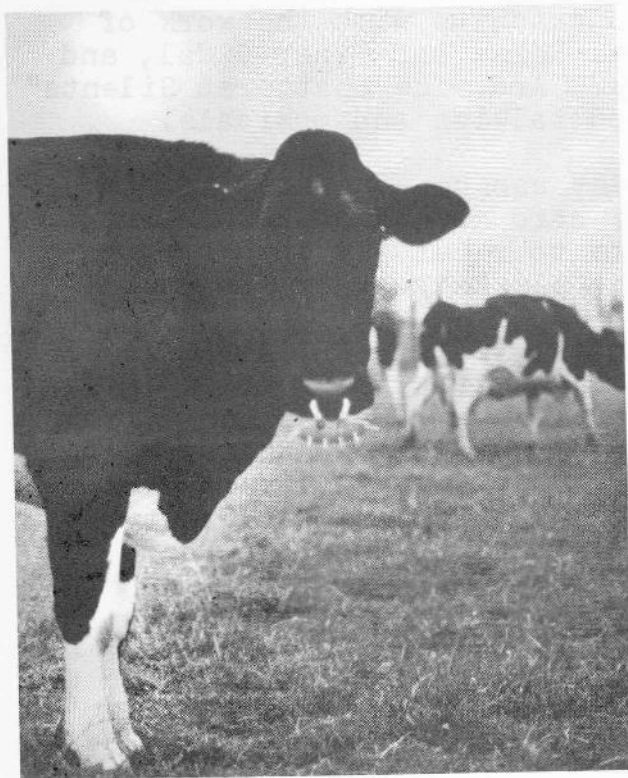
Possible Ballooning Events

Thame Fete, Mead Farm.....	13th August.
Holken Hall.....	19th & 20th August.
Villiers Meet, Exeter (or Wrexham)...	26th, 27th, 28th August.
Farnborough Air Show.....	3rd & 8th September.
Championships.....	9th to 16th September.
Brunel University.....	Sept - Oct?

A.J. MOORE

INCIDENT REPORT BY DERRY MOORE

GABRIELLE ATTACKED (G-BREL)



Mapledurham Moll

Warning to all Balloonists!

Beware!

There is a villainous armed female predator loose in the Chiltern Hills. Known as Mapledurham Moll she is armed with a spiked steel rake and specialises in stealing milk. Her registered no. is 2-132.

On Sunday 30th July 1978 at about 2030 hours the BICC Balloon, Gabrielle was attacked near the village of Mapledurham. With her steel rake, M.M. inflicted sufficient damage near the crown (an 8" x 12" L-shaped rip) to ground the balloon until a repair and C of A reinspection were made.

Balloonists are asked to commit her photograph to memory and report her movements, as they could result in "sticky business"!

# The Film Column

CINEMA SCENE It is heartening to be able to report for the second month in succession the opening of a brand new cinema, this time in Wembley. This is the Severn, which is situated inside the Wembley conference centre, but is open to the general public. Following JAWS and STAR WARS, this week the Severn is showing INTERNATIONAL VELVET. The Severn is now the only cinema in Wembley showing English-language films, the ABC having closed and the Odeon, now renamed Liberty, showing Indian films.

NATIONAL FILM THEATRE From this issue we hope regularly to give details of next month's NFT programmes rather than those for the remainder of the current month. But in August there is a season of Rock Movies in the Seventies, and a chance to see again the films of Gracie Fields.

The major offering in September is a season of films by Max Ophuls, the director of the original LA RONDE and of LOLA MONTES. There is a chance to catch up with the work of two more British film-makers, Karel Reisz and Peter Gidal, and with the latest films from Hungary. And "The Shattered Silents" is a season of very early Hollywood talkies and musicals.

The NFT programme booklet can be consulted in the Library, and the club's membership card may be borrowed from Annette Mattock. If you would like to receive a copy of the full programme summary every month, please contact Tom Ruben.

FILM RECOMMENDATION The Spanish film CRIA CUERVOS (Raise Ravens) Directed by Carlos Saura, is a beautifully filmed and convincing evocation of the pains and mysteries and certitudes of childhood, portrayed by Ana Torent, the mesmeric little girl from SPIRIT OF THE BEEHIVE with eyes like a baby seal's and a gaze of disconcerting steadiness and solemnity. CRIA CUERVOS is showing at the Gala Royal in Edgeware Road.

---

## Billiards Tournament

The billiards tournament has not progressed very far since last month. Groups 2 and 4 have been decided and there is one qualifier through from Group 3. However the matches in Group 1 are now long overdue. Please get your cues sharpened (or chalked) and get potting, in-offing or cannoning.

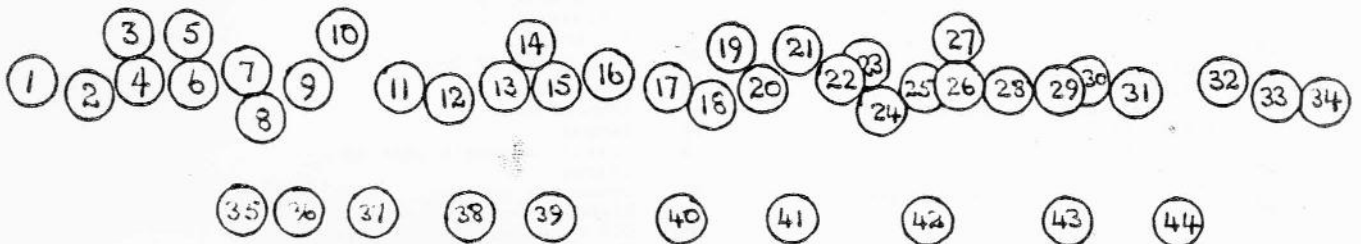
# Memory Lane

The photograph reproduced below was supplied by Fred Palmer and shows nearly the entire works staff prior to their outing to Margate in 1938. Only two people shown in the photograph are still at Wood Lane. Can you find them? J. Urmston, who was in charge at the time also went down to Margate, but by car. This was fortunate for some who missed the return coach home and managed to get a lift. During the war J. Urmston went to America and was replaced by L.G. Brazier.

The only woman employed in 1938 was Mrs Shepherd the tea lady - no not the typing office supervisor.



Key to photograph



- |                    |                       |                    |
|--------------------|-----------------------|--------------------|
| 1. Charlie Horn    | 21. George Gard       | 34. Ted King       |
| 7. Fred Humby      | 22. Sid Salvage       | 35. "Hoppy" Smith  |
| 8. Harry Marriot   | 24. Nobie Allen       | 36. Alf Brinsley   |
| 11. "Bernard" Shaw | 25. Alf Britchford    | 39. Tom O'Sullivan |
| 13. Fred Palmer    | 26. Len Holdsworth    | 42. Orry Dunn      |
| 15. Oliver Lane    | 27. George Holdsworth | 43. Ted Dawkins    |
| 16. Reggie Good    | 31. Len Smith         | 44. Don Grey       |
| 17. Paddy Hogan    | 32. Alf Rawlings      |                    |
| 18. - Kelly        | 33. - Donnelly        |                    |

The remainder are unknown.



# Competition

This month a relatively straightforward crossword to reactivate your brain after two editions without a competition, except for the photographic. (Of the balloon - remember) Bearing in mind that this is the holiday period the closing date is the 6th October.

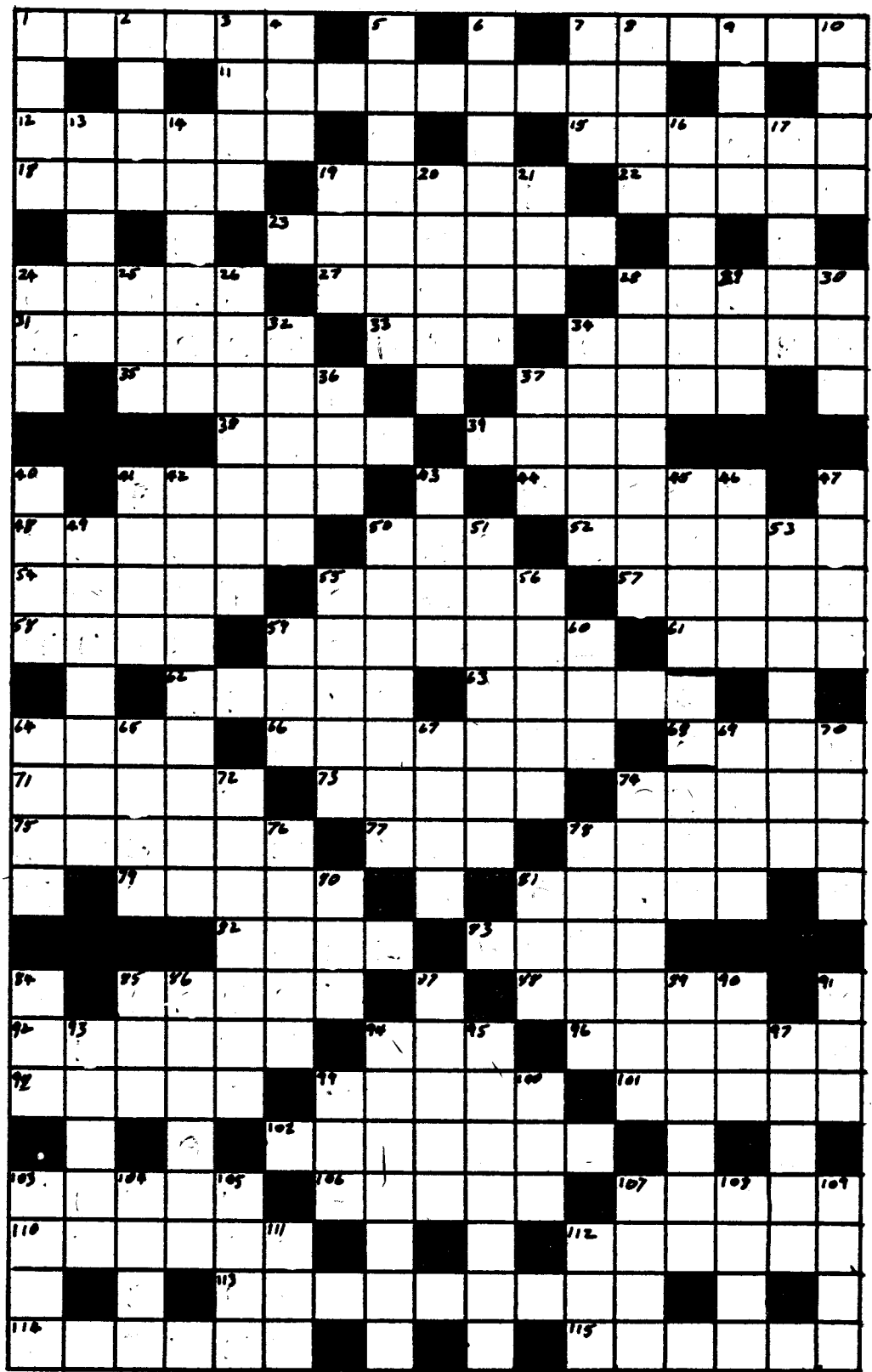
Entries to David Green. A £2 prize awaits the lucky winner.

## ACROSS

1. Highly destructive insect.
7. A safe place for the insane.
11. Childrens game with beer plant and whisky.
12. He's joined a society.
15. Young bird of prey.
18. Say whether guilty or not.
19. Broom, perhaps-or other shrub.
22. Viennese dance.
23. A clue for a dog.
24. The oaks fruit.
27. Stage performer.
28. & 31. A fast road for the British press (5,6).
33. The rose's fruit.
34. .... Leone, African country.
35. The sound of publicity?
37. East African country.
38. Cab.
39. Mature.
41. Fragment, bit.
44. Hazy.
48. Funeral vehicle.
50. Space left by a dentist.
52. Where the crew go after docking.
54. Foolish me, I do it wrong.
55. Reef or necklace material.
57. Famous swiss mountain.
58. Rotate.
59. Regulate, govern.
61. Pleasant Riviera resort.
62. Tug-of-War cry.
63. Leave nothing in the capital of Ecuador.
64. 'Othello' character.
66. Forcibly permeate (or seep through fur).
68. .... Armstrong, the first man on the moon.
71. Begin.
73. Island in the Inner Hebrides
74. A vet's new place for notes.
75. School period.
77. Much at the auction?
78. Slacken.
79. Biblical being in the Rodin exhibition.
81. Red flower yielding opium.
82. Spoken.
83. River dam thats almost uncanny.
85. Garden flower.
88. Ire.
92. Unsullied sachet maybe.
94. Slight blow.
96. One hug can be quite sufficient.
98. The trunk.
99. A Fables practical message.
101. 'Aida' or 'Carmen', eg.
102. Senior government ministers.
103. Satan lived it up.
106. Glue.
107. Steal game and cook eggs.
110. Winking or blinking shutter.
112. University Award.
113. Sudanese dervish-crusher of Khartoum Fame.
114. Young cat.
115. Deader figure.

## DOWN

2. Light.
2. Approach.
3. Lose leaves over garden hut.
4. The height of the storm.
5. The worlds largest bird.
6. Continuous.
7. Top card.
8. George Bernard-----
9. Temporary stillness during storm.
10. French Fortress-city scene of 1940 and 1944 battles.
13. Choose by vote.
14. Keg, cask.
16. Ships kitchen.
17. Out there is a gas.
19. Constricting snake.
20. Up to that time.
21. The 'H' in OHMS now.
24. A tree or its remains.
25. Sphere.
26. Most tidy.
28. Delicacy in execution.
29. Historical age.
30. Scotlands longest river.
32. Vestige.
34. Brown pigment from cuttlefish.
36. Devonshire river.
37. A kipling novel.
40. Pentecost.
41. Couple.
42. The original name for a locomotive (4,5).
43. Farm vehicle.
45. Balding (4,2,3).
46. Eastern meditator.
47. Just a pool.
49. Teach.
50. One of King Lear's daughters.
51. Wood-block flooring.
53. Accept.
55. Desire wrongfully.
56. Blood sucking insect.
59. Schoolboys hat.
60. Falsehood.
64. Man, Wight or Dogs.
65. Nasty cut.
67. Amphibian.
69. Simple.
70. Little Leonard's part of a camera.
72. Ontario's capital.
74. Highest Female voice.
76. Old Scandinavian Language.
78. France's longest river.
80. It's twenty-four hours Robin.
81. Church seat.
84. Division of play.
85. Equality.
86. Attack.
87. Capital of France.
89. Crufts winner? (3,3).
90. Shade of colour.
91. Organisation for Junior Walkers (1,1,1).
93. Bees product, dear.
94. Smokers weed.
95. A pink one perhaps?
97. Princess of Monaco.
99. Chart.
100. Sheltered side.
103. School writing table.
104. Under garment.
105. Similar.
107. South American republic
108. Oil Magnate.
109. He's got something coming to him.
111. Loud noise.
112. Lair or study.



---

# Technical Society

Arrangements have not been finalised for the next Technical Society Meeting.

# Gabrielle at BREL

Even now, a fortnight after the event, I am not sure how he did it. He doesn't look like a man capable of making sacrificial offerings to the gods, or a witch doctor from the heart of Africa. He's not even like Barbara Edwards, but somehow Derry ordained a balmy summer evening with the merest hint of a breeze in order to show "G-BREL" to her sponsors. The plan almost failed however for want of the young lady herself, or at least some transport to fetch her. Fortunately Ryder, youngest of the Dutch van Rental Brothers, came to the rescue and, with car park cleared, the large gathering waited eagerly, with glasses filled.

Only the handful of people who had already been out with the balloon knew what to expect. The rest of us soon found out - an agonising wait! As the superstructure was slowly assembled and a long, silky object in orange, brown and white emerged from a small blue bag I began to wonder if Derry had come to a secret arrangement with the Bar Committee to increase profits. Away in the background the Goodyear "blimp" drifted lazily over Earl's Court, keeping a respectable distance as it phut-phutted about, as though conscious it would not be the star attraction if it ventured closer.

Gradually the envelope was spread out and the ground crew began to "flap" air into the lifeless shape. The effort involved in manually filling even a few of the 77,000 cubic feet was considerable, and it took three tries, and a good few puffs on Geoff's cigarette, before Derry could clear the flappers and ignite the burners. Compared with the earlier activities the speed with which the envelope filled and the balloon assumed an upright posture was remarkable. With willing hands clinging to the ropes lift-off was soon achieved to loud applause from the gallery, and the healthy sound of cameras clicking for the Bush Telegraph's competition. Someone produced champagne and Mr Banks went over to toast the project with Derry and then, to a raucous shout of "Come on Guv'nor, jump in", he became the evening's first passenger. After that a steady stream of young and old climbed aboard for a "hop". There were some interesting examples of how to get in and out of the basket, although nobody suffered more than a momentary loss of dignity.

All too quickly the gas ran out, Derry pulled the rip-chord and within seconds there was nothing but a crumpled coloured heap on the tarmac and the faintest odour of propane drifting away into the evening. No sooner had I turned away to refill my glass than the envelope had disappeared back into that ridiculously small blue bag and "G-BREL" had gone.

The evening was an undoubted success, and I think I echo the feeling of all spectators in saying that it was a spectacle worth waiting for. Those who were unable to be present, or who chose to stay away were the losers, but in "G-BREL" we have a winner.

MH

# From our Northern Correspondent

In Derry's article he refers to "a multitude of BICC personnel". One of the multitude, Les Ireland Technical Library Prescot who is of the opinion that the team did a grand job and were a credit to the company sent us this article entitled:-

## "GABRIELLE" AT ST. HELENS SHOW

It was with a sense of some uncertainty that my wife and I made our way to the St. Helens Show on the evening of Friday, 28th July. Thursday - the first day of the Show - had been a disaster from the weather viewpoint and it had rained all day. Friday dawned clear and bright and, as the day wore on, it became obvious that we were in for a bright, sunny evening - as it turned out!

The advance publicity in our local press told us that there would be hot-air balloons at the Show, and the 'Link' also mentioned the possibility that "Gabrielle" would be there. So we drove to the proximity of the Show-ground and wended our way to one of the entrances where we bought our programme. According to the time-table for the day, hot-air balloons (in the plural) would be on show in a special ring at 7.30 p.m. Eager to be there at the start, I'm afraid my wife had only a cursory glance at all the other delights of the Show, since it was almost at the witching hour and I wanted to be at the location when the balloons were shown.

Imagine our delight, when we arrived at the Show-ring, to see only one balloon laid out across the grass - but that balloon had the now familiar colours of brown, orange and white, and was accompanied by a van which clearly stated it was from "BICC Research & Engineering Ltd". Fascinated, my wife and I watched the team pull the balloon fabric to its full length and begin to untwist it, while two of the men fixed the burner on the frame above the gondola. The balloon fabric seemed to extend quite a distance across the grass and, as the evening was warm, the wrestling, tugging, pulling and lifting, obviously used quite a lot of the team's energy. After having untwisted the fabric, willing hands took hold of the lower edge and began to shake it up and down to induce air to enter the balloon. It surprised us to see how much air they got in, in such a short time. Then came the time to switch on the burner. Having slipped a curved metal 'hoop' to hold the lower aperture open, the burner was lit and operated spasmodically to induce hot-air to enter the balloon. Slowly, the fabric filled and rose, untwisted and rose again, while someone inside evened out the folds on the grass. Soon the envelope was clear of the ground.

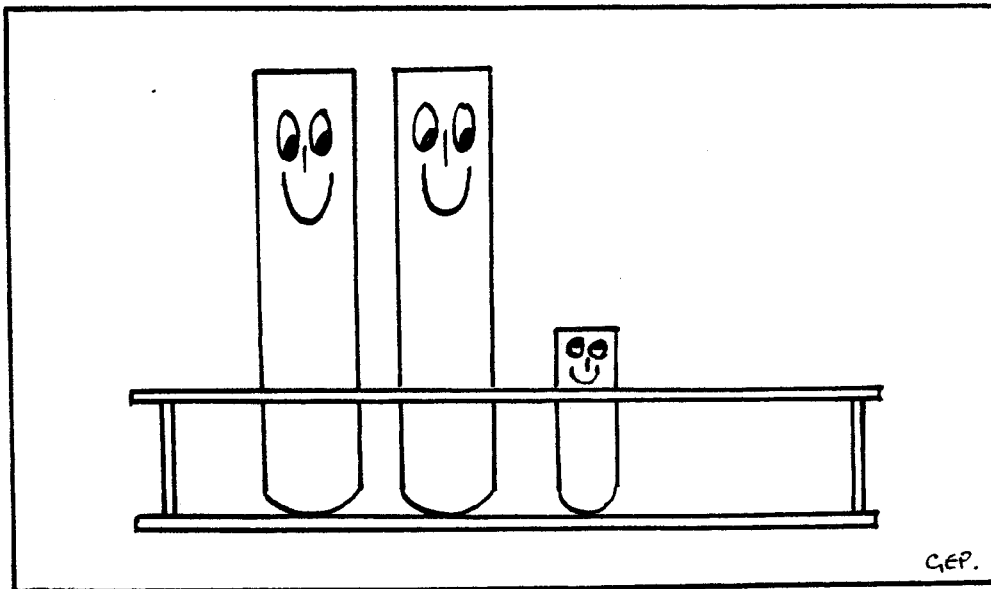
The leader of the team realised that the van was in the wrong place and the rope he had tied round the front axle would be in the wrong direction. So the van was moved round a little. The gondola was heaved from its side into a vertical position. More hot air was injected into the envelope and slowly the whole conglomeration turned majestically into a flying thing, with its "BICC" message proudly emblazoned on the sides. Almost imperceptibly, a crack of light appeared between the gondola and the grass, and the flying thing was airborne. There was a ripple of applause around the ring, which the flying team duly acknowledged.

Alternately, operating the burner and pulling on a release valve rope, the pilot caused the gondola to rise and fall gently in the evening breeze, while the rope round the van axle held its rise in check. One or two posed photographs were taken, and one of the lady spectators exchanged crash helmets with one of the team in the gondola and was taken up a little way, while more photographs were taken....

There we left it - gently and silently hovering about 15-20 feet from the ground, with an occasional cough from the burner. It so happened, just about then, that the Red Devils Free-Fall Parachute Team made their spectacular evening descent which took away some of the attention of the spectators.

A very impressive event, and one I would have hated to have missed. Two minor disappointments: the first - in common with other people - I had expected a full flight instead of merely a tethered flight; but obviously you cannot have that sort of thing at 8.30 in the evening. And the other: simply that I kicked myself all the way back to the car for not having brought my cine camera with me on such a perfect and memorable evening.

Les Ireland  
Technical Library  
Prescot.



# Poets Corner

---

## LAMENT

(dedicated to all those people who  
have shown me the newspaper  
advertisements in recent weeks)

Oh to be a copper  
Of the post-Lord Davies kind,  
6K plus in London -  
5 I wouldn't mind!

Free accomodation,  
Or allowances instead,  
Just to stand at junctions  
And pretend the lights are red.

My feet are size 11,  
I can say "Good evenin' all",  
And with my woolly socks on  
I must be 6 feet tall.

There's other perks a plenty  
To increase the basic pay,  
And a panda car to run the wife  
To Harrods every day.

"Yes, I've a BSc, Sarg.,  
My eyesight's still alright -  
You don't think you can take me -  
I'm probably too bright!"

The test tube's getting dusty,  
The Bunsen's long gone out,  
They've dissolved my differentials,  
What is it all about?

MH

---

## Save Our Scrap

It is inevitable in any Research Organisation that high priority projects of today are reports (and hopefully commercial processes) of tomorrow. Equally inevitably, equipment and materials purchased specifically for an investigation is no longer needed. Whilst it is true that a large quantity of rarely-used equipment is stored, it is also true that equipment in a functioning state is disposed of. As far as we are aware, there is no interdepartmental liaison on the disposal of old equipment, the utilisation of existing equipment or the purchase of new equipment. It would appear logical for all interested parties to be informed of plans to scrap unwanted equipment (and possibly materials) well in advance. To see the scrap metal skip fill up rather more slowly would be very pleasant.

# 5-a-side - - - - -

## 5-a-side Football

On the 25th July men's teams and one ladies, charged with enthusiasm following their initial outing at the Balfour Beatty Sports Day, descended on Wormwood Scrubs in an attempt to annihilate teams representing the National Health Services Officers based at Bromyard Avenue. From the start it was obvious that our hopes were only a dream. This was confirmed by us not managing to win any matches - but we came close. Still at least the games were played in a friendly spirit and the only injuries were:-

Roger Roberts - broken wrist  
David Green - damaged knee

Need I go on.

Not holding this against them an invitation was extended to visit the friendly local, which looked remarkably like the 5th floor bar, to talk about what might have been. Thanks go to Roger Roberts for organising the evening and the mad fools who took part.

V. Banks	K. Byrne
D. Green	L. Lou
R. Roberts	T. Alleyne
P. Walters	D. Cooper
M. Patel	and for the ladies
N. Franklin	B. Groombridge
D. Groombridge	S. McCormick
P. Raw	L. Marti
S. Cutting	Y. Dobrowska
I. Ringrose	A. Kirby
I. Fennemore	A. Thornton
	J. Walters



# plus 1

## 6-a-side Cricket

There are a number of scientific laws which take the general form

$$a = \frac{k}{b}$$

where a and b are variable and k is a constant. It is probably not too wide of the mark to say that where a = ability and b = enthusiasm the law can be applied to the annual inter-departmental 6-a-side cricket competition in which, for the 4th successive year, over one-sixth of the total workforce participated.

In response to public opinion the eight teams were divided into two groups of four which were decided on an "all-play-all" basis. The winners and runners-up of each group qualified for a semi-final knockout stage.

Group I (Chemistry, Works Engineering, Control Engineering I and Allsorts) had the better weather for their "encounters of the absurd kind" on Tuesday 17th July. Last year's beaten finalists, Works Engineering, provided the main surprise of the evening - losing all three games! Not, however, before Roger and Jack had found colourful ways of suggesting that Terry Alleyne's role as umpire-scorer could have been better performed by a representative from St. Dunstan's. Chemistry's solitary victory, their first in the competition since 1975, was notable for contributions from Joe Lou and Mayur Patel! It is rumoured that Richard Davies has instructed G-BREL to visit Headingley and attempt to recruit a Mr. G. Boycott before next season. Does he know what litmus is though? For Control Engineering I Messrs. Carroll and Renwick made good contributions - a number of batsmen being unable to "cope" with the latter - but even they had to give way to Denis Groombridge's carefully assembled band of Allsorts who emerged top of the pile. The cost of victory was an arm injury to John Heggie, which may keep him out of the final stages, although serious consideration is being given to playing him solely for his devastating underarm daisy-cutters.

The following evening was dull and threatening but the Group II teams (Metallurgy, Control Engineering II, Polymers and Physics) set about each other, and especially Control Engineering II, with gusto. A word of praise for Jim Clarke and his young lads from CE II who stepped into the breach at the last moment after Maths had withdrawn (a plague on your computers gentlemen). In the best traditions of British sport they took part and apparently enjoyed themselves. Well done. Last year's champions, Physics, had a poor evening and were eliminated despite the efforts of Vic Banks and Tony Jordan to thrash the



Metallurgy Department in the last match, as the sky blackened and there was a general call for Kerry Packer's floodlights. Polymers, who have been embarrassing unsuccessful in their attempts to recruit new cricketers this summer, did as well as could be expected, beating Physics, thanks to good batting by Mike Kendle and Terry Alleyne and a superb run-out by wicket-keeper Keith Elder, and CE II despite Mike Hagger proving that bad bowling gets wickets. The overall favourites, Metallurgy, fully justified their status winning all three matches. Against CE II they established a new record for the competition reaching 63-1 from the 5 overs with Bob Lewis, Rhys Llewellyn and Peter Raw sharing the runs.

The full results were:-

GROUP I

ALLSORTS (35-5) BEAT CONTROL ENGINEERING I (23-3)  
 CHEMISTRY (36-2) BEAT WORKS ENGINEERING (32-1)  
 ALLSORTS (40-1) BEAT CHEMISTRY (25-0)  
 CONTROL ENGINEERING I (32-4) BEAT WORKS ENGINEERING (26-2)  
 ALLSORTS (32-3) BEAT WORKS ENGINEERING (20-5)  
 CONTROL ENGINEERING I (38-0) BEAT CHEMISTRY (34-4)

GROUP II

MET. LAB (63-1) BEAT CONTROL ENGINEERING II (30-3)  
 POLYMERS (43-1) BEAT PHYSICS (24-4)  
 POLYMERS (51-0) BEAT CONTROL ENGINEERING II (19-5)  
 MET. LAB (44-2) BEAT PHYSICS (27-0)  
 PHYSICS (19-1) BEAT CONTROL ENGINEERING II (18-3)  
 MET. LAB (33-2) BEAT POLYMERS (17-5)

At the time of writing negotiations are still proceeding to find dates for the final stages, with each department anxious to ensure that its best players are available and the opposition's are all on holiday. So, if you see some flannelled figures on Wormwood Scrubs at Christmas you'll know why! When the great day arrives the semi-finals will be:-

Allsorts	v	Polymers
Metallurgy	v	Control Engineering I

---

# New Telephone System

Modifications to the entrance foyer to accommodate the new telephone-receptionist, should be completed in time for the inauguration of the new exchange. The date of this is still uncertain.

APOLOGY

"WALLS, GATES AND CHAINS - MY STORY" by J. McKinney (Miss)

The Editorial Board of the Bush Telegraph wishes to apologise to its readers for failing to obtain the promised article by J. McKinney (Miss). Despite offering its total resources of £4.33½, 20 pesetas, a used conker (with string) and an autographed photo of Mike Hagger with Polymeric suntan, the BT was outbid by the "Salt Lake City Builders Gazette and Nymphomaniacs Weekly". We are advised that this publication is available from your friendly local bookstall, or the Metropolitan Police, New Scotland Yard (Dept. G, ask for Detective Inspector R. Biggs).

NEXT MONTH:- "CONFESSIONS OF A SAGGERMAKER'S BOTTOMKNOCKER"

